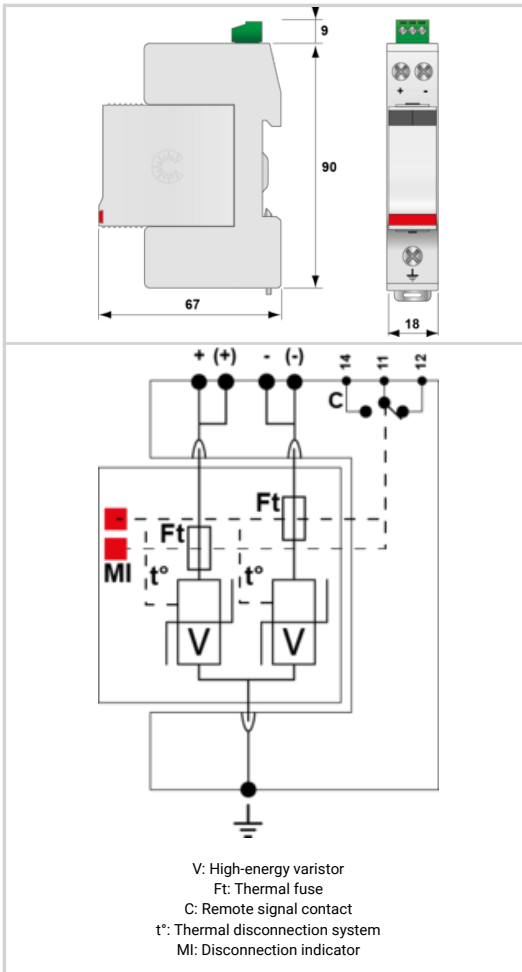


DS240S-350DC



- MOV Technology
- UL1449 Type 4CA
- 40kA Surge Current Rating per module
- Visual fault indicator and remote contacts
- 10-Year warranty



Electrical Characteristics		
Max. load current	IL	20 A
Total Maximum discharge current max. total withstand @ 8 /20 μs	I _{max} Total	80 kA
Protection mode(s)		Common mode/Differential mode
POWER SPD TYPE		UL1449 5th Ed. TYPE 4CA
VOLTS	(V)	350
AC/DC/DC PV/RF		DC
PHASE	(PH)	-
AMPS	(A)	n/a
AMBIENT MIN	(C)	-40
AMBIENT MAX	(C)	+85
MODES		DC+G or DC-G
MLV DC	(V)	2820/1410/1410
MCOV	(V)	350/350/350
IN15 impulses 8/20μs	(kA)	10
SCCR	(kA)	n/a
IMAX8/20μs	(kA)	40
Mechanical Characteristics		
Outdoor application		No
TECHNOLOGY		MOV
NETWORK CONFIGURATION		2W+G
CONNECTION METHOD		Screw Terminal (8-12AWG)
MOUNTING		DIN RAIL
MATERIAL		Thermoplastic UL94-V0
NEMA RATING (IP RATING)		NEMA 2 (IP20)
FAIL-SAFE BEHAVIOR		Disconnection via fuse-link
REAL-TIME DIAGNOSTICS		Visual indicator and remote contacts
DIMENSIONS		See diagram (mm)
WEIGHT		0.30 lbs
SPARE PART		DSM240S-350DC
Standards		
Certification		UL Recognized
UL STANDARD		UL1449 5th Edition
UL CATEGORY		VZCA2, VZCA8
UL FILE NUMBER		E326289
STANDARDS		IEC 61643-11, NOM-003-SCFI-2014, NOM-001-SCFI-1993
ENVIRONMENTAL STANDARDS		ROHS
Part number		
310911		